



ASmart LIGHT CO., LIMITED  
 E-mail: sales@asmart-light.com  
 www.asmart-light.com



**P/N: AST-PG02-75WAANA1-aaK[Blank,M,S]**

Note:

AST= Company name

PG02 = Product series, LED Parking Garage Light

75W = Rating Power, 75W

The first A = Hongli 2835

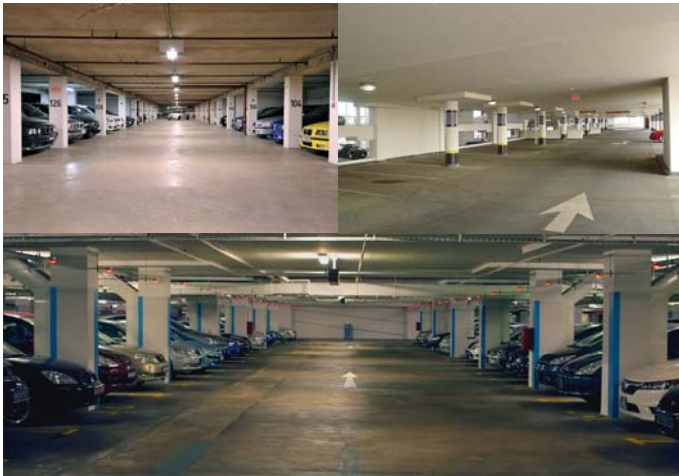
The second A = Diffuser cover type, A represent Stripe PC cover

N = The lens have no reflector

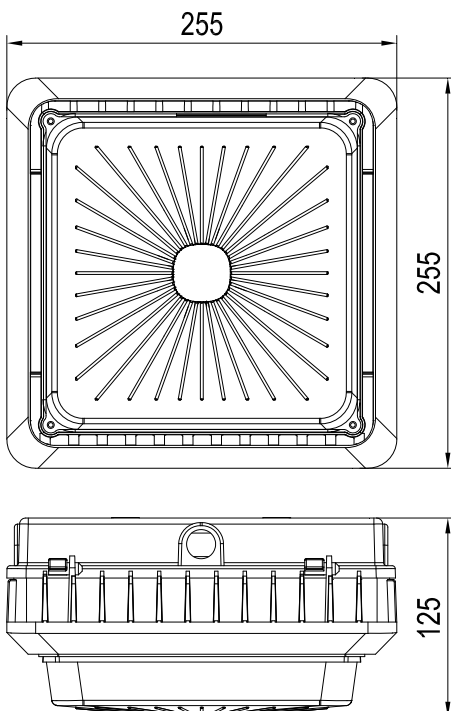
A1 = Version number

aaK = CCT, 40K=4000K, 45K=4500K,  
 50K=5000K, 57K=5700K

[Blank,M,S]=None Motion sensor, & None Surge-Protective Device, M=Motion sensor, S=Surge-Protective Device



## DIMENSIONS



## ADVANTAGE

- UL cUL DLC certificate.
- IP65 Internal driver, Input voltage 100-277Vac.
- Output constant current lever can be adjusted through output cable with 1-10V.
- No UV or IR in the beam.
- Easy to install and operate.
- Energy saving, Long lifespan.
- Light is soft and uniform, Safe to eyes.
- Instant start, NO flickering, NO humming.
- Green and eco-friendly without mercury.

## APPLICATION

- Widely used in underground parking lot, garage and so on..

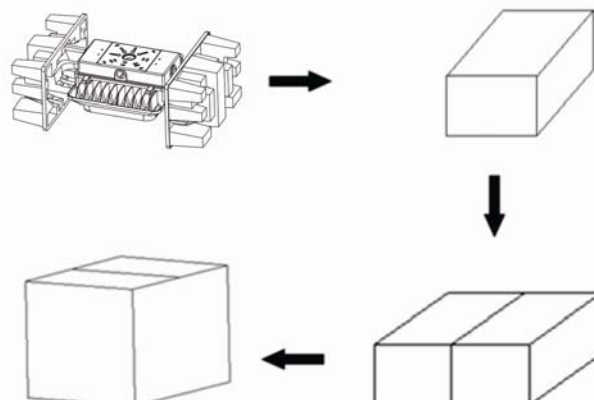
## SPECIFICATIONS

<b>OPTICAL</b>	Input Power	75W
	Lumen	9400-10000 LM
	Lumen Efficacy	127-133 LM/W
	Color Temperature	4000K, 4500K, 5000K, 5700K
	CRI	>80
	Viewing Angle	160°
<b>ELECTRICAL</b>	Input Voltage	100-277VAC 50/60Hz
	PF	≥0.9
	THD	≤20%
	Driver Brand	China Brand Driver
	Optional Accessory	Motion sensor, Surge Protective Device
<b>MATERIALS</b>	LED Type	SMD2835 (0.5W)
	LED QTY	225 PCS
	Housing	Aluminum + PC
	Housing Color	White
	Cover	Stripe PC Cover
	Waterproof Rating	WET (IP65)
<b>OTHERS</b>	Operating Temperature	-20°C TO 45°C
	Operating Humidity	20%-90% RH
	Storage Temperature	-30°C TO 80°C
	Storage Humidity	10%-95% RH
	Warranty Time	5 Years

## Package

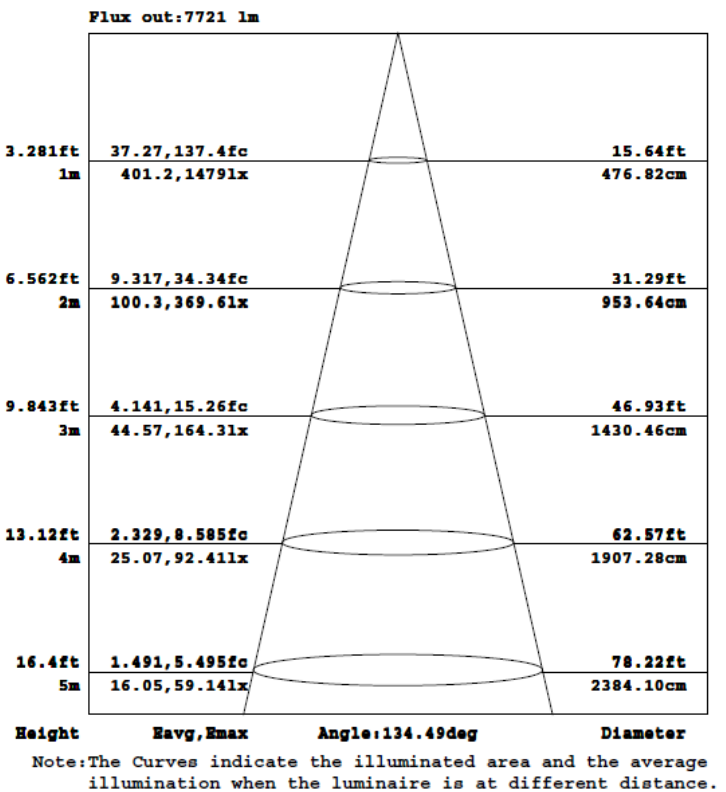
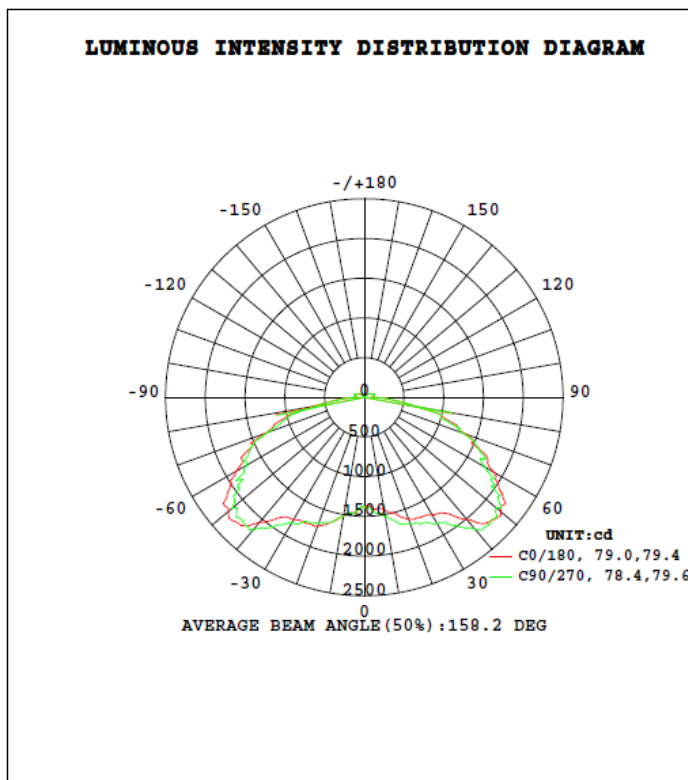
**Lamp Net Weight: 3.0 KG / PC**

	Size	Qty / Carton	Gross Weight / Carton
Inner box	305*300*185 MM	1 PC	3.5 KG
Outer box	390*315*325 MM	2 PCS	7.8 KG



## LIGHT DISTRIBUTION TESTING PARAMETERS

DATA OF LAMP		PHOTOMETRIC DATA			
MODEL		Imax (cd)	2566	S/MH (C0/180)	2.12
NOMINAL POWER (W)	75	LOR (%)	100.0	S/MH (C90/270)	2.06
RATED VOLTAGE (V)	120	TOTAL FLUX (lm)	9894.2	$\eta$ UP, DN (C0-180)	2.3, 48.0
NOMINAL FLUX (lm)	9894.21	CIE CLASS	DIRECT	$\eta$ UP, DN (C180-360)	2.3, 47.4
LAMPS INSIDE	1	$\eta$ up (%)	4.6	CIBSE SHR NOM	2.00
TEST VOLTAGE (V)	120.0	$\eta$ down (%)	95.4	CIBSE SHR MAX	0.00



## NOTICE FOR USER

- Please turn off power before install or change assembly parts.
- The input voltage and lamps should be matched, after connecting the power line, Please make sure the wiring section is insulated.
- No-professionals, must not install and disassemble the lamps.

## TROUBLE SHOOTINGS

Troubles	Check points
Flickering of the light	Turn off the power and turn on again in 3 minutes. If same phenomena occur, then call agencies.
Out of working	Please check the connection.